

Custom Engineered Finishing Solutions

Shortest thread up, fastest change-over, producing the highest yield in the industry. Offering so much flexibility... it is not just a finisher.



SPECTRUM II FINISHING SYSTEM

The ultimate solution in finishing digitally printed web. Delta systems are unmatched in ease-of-use, registration capabilities, tension control and process flexibility.

Delta offers engineering expertise in developing custom manufacturing and packaging solutions for a variety of label, security, RFID, medical and pharmaceutical products.

EFFICIENT

- Simple set-up, easy to use
- Minimize waste with compact web path
- Use ALL printed frames with single frame registration

FLEXIBLE Platform, Modular System

- Process labels to thin films, servo tension control
- Perform multiple die cuts in registration.
- Magnetic die & engraved die cutting in combination.
- Full-rotary and semi-rotary in one finishing system.
- Fully Modular - add processes as your business grows:
 - flexo printing/coating
 - hot/cold foil stamping, embossing
 - laminating, heat-sealing
 - island placement
 - sheeting, stacking, conveying
 - EDGE™ Laser Technology



New one-touch software offers registration and re-registration with the push of a button.

Technical Details:

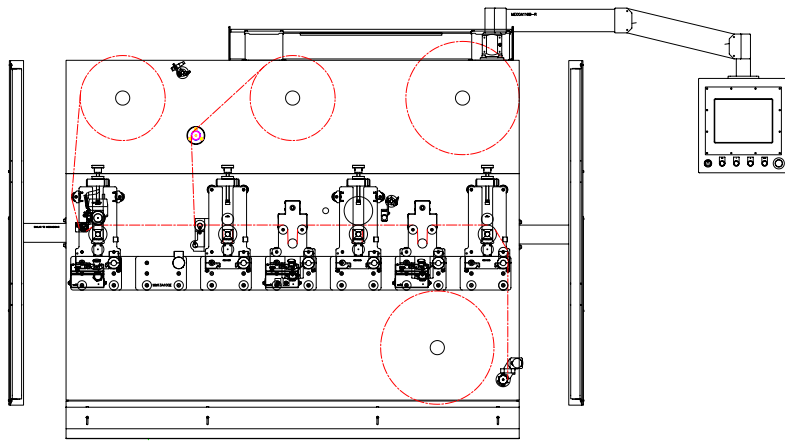
Short run diecutting: Flexible die technology in semi-rotary mode
Traditional die cutting: Full rotary mode - engraved rotary die can be run in conjunction with flex die - with full system registration.
Digital laser cutting: Edge™ laser technology may be added
Flexibility: Process modules may be easily moved or reconfigured per application; system offers the opportunity to manufacture a variety of parts.
Running speed: Up to 200fpm in semi-rotary mode/Up to 300fpm in full rotary mode.
Web width: 13" standard, other widths available upon request.
Machine layout: Custom designed to fit your application requirements.

CONSISTENT Process Control

- Precise tension control, adjust to specific units
- Accurate Registration, for print to print accuracy

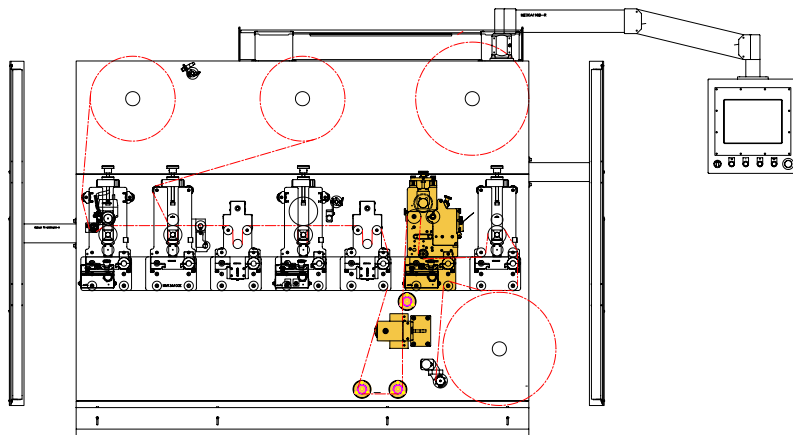


11501 Eagle Street NW • Minneapolis, MN 55448
1-800-279-3358 • 763-755-7744 • Europe: +46 706-97 24 34
delta@deltaind.com • www.deltamodtech.com



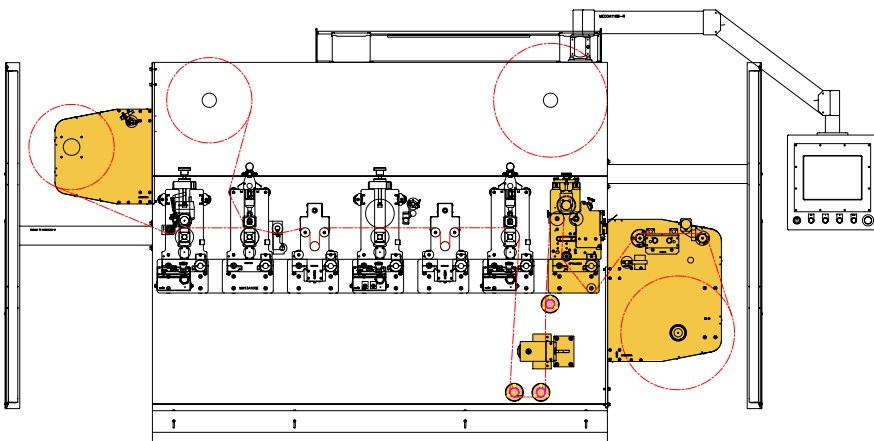
Base Model
SPECTRUM II
 Finishing System

*The perfect solution
 for over-laminating,
 flexible die-cutting, slitting
 and rewinding
 digitally printed web.*



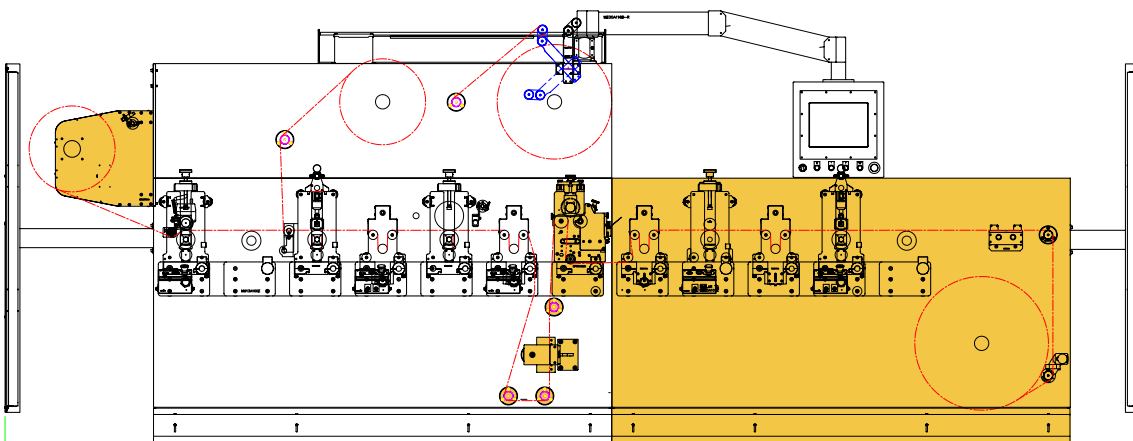
SPECTRUM II
 Finishing System
 with UV Coating Module

*A complete finishing
 solution with the added
 capability of
 over-varnishing*



SPECTRUM II
 Finishing System
 with Jumbo Unwind/Rewind
 and Splicing Table

*A complete finishing solution
 with the added ability to
 splice and handle
 larger rolls of material*



SPECTRUM II
 Finishing System
 with additional
 Process Modules

*A complete,
 fully expandable,
 finishing solution
 add: Hot Stamping,
 Embossing, Laser Cutting
 and additional
 Rotary Die Modules*